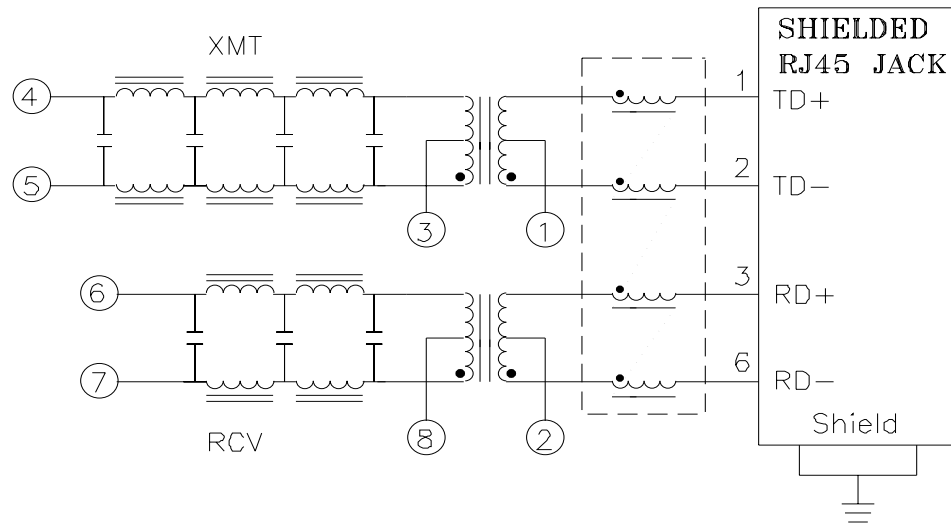


Schematic:



Electrical Specifications: @25°C

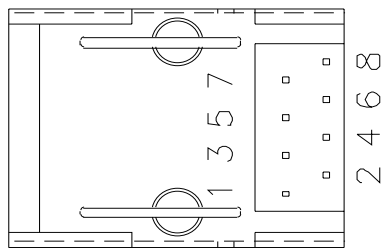
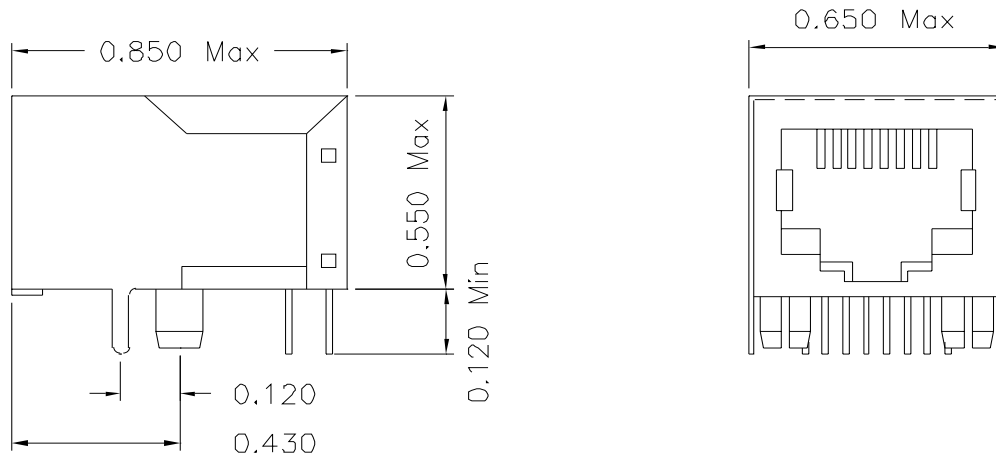
ISOLATION: 1800 VRMS (Input to Output)
 ISOLATION: 500 VRMS (XMT to RCV)
 INSERTION LOSS (1-10MHz): -1.0dB Maximum
 ATTENUATION @30MHz:
 TRANSMIT -30dB Minimum
 RECEIVER -18dB Minimum
 RETURN LOSS (1-10MHz): -15dB Minimum
 CUTOFF FREQUENCY: 17MHz TYPICAL
 CROSSTALK (1-10MHz): -30dB Minimum
 I/O IMPEDANCE: 100 OHMS

DOC. REV: A/2

XFMRs Inc	Title: 10 BASE-T FILTER COMBO	
	P/N: XF10BASE-COMBO1-2S	REV. A
	DWN. 廖玉坤	Jan-27-00
	CHK. 李清儿	Jan-27-00
SHEET 1 OF 2	APP. Joe Huff	May-12-00

Mechanical Dimensions:

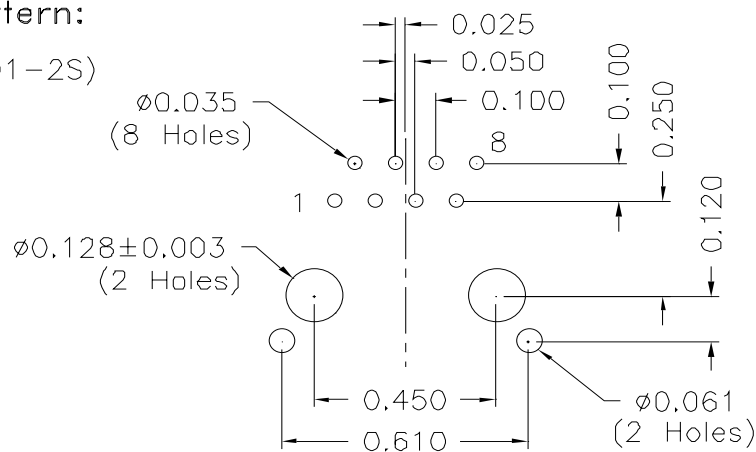
XFMR5
 XF10BASE-
 COMBO1-2S
 YYWW



(BOTTOM VIEW)

Mounting Pattern:

(FOR COMBO1-2S)
(COMP SIDE)



DOC. REV.A/2	XFMR5 Inc.		Title: Mechanical Dimensions For COMBO1-2S Series	
	UNLESS OTHERWISE SPECIFIED TOLERANCES: .xxx ±0.010 Dimensions in Inch		P/N: XF10BASE-COMBO1-2S	REV.A
			DWN.	廖玉坤
	SHEET 2 OF 2		CHK.	李清儿
APP.			Joe Huff	Jan-27-00