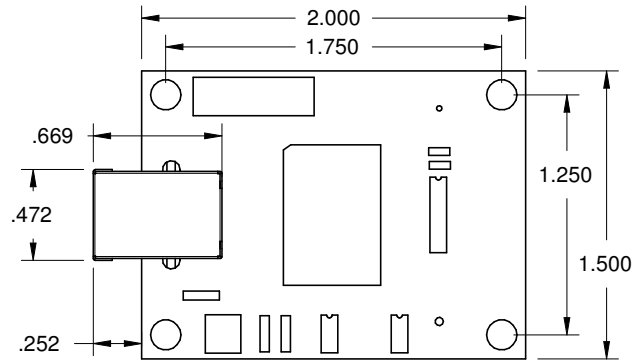
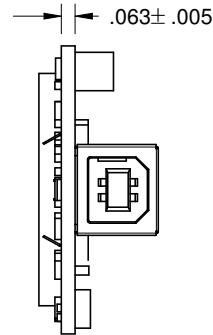


REVISIONS				
ZONE	REV	DESCRIPTION	DATE	APPROVED

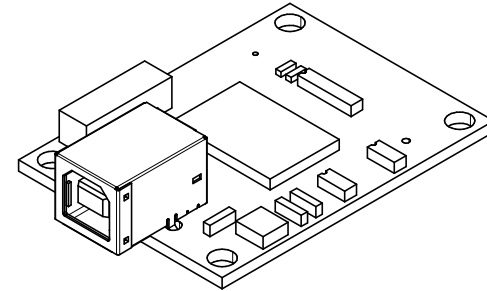
**Top View**



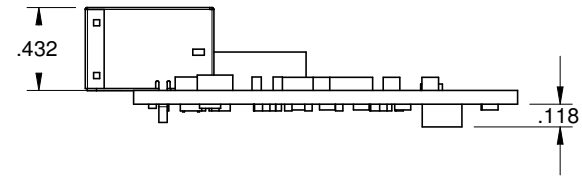
**End View**



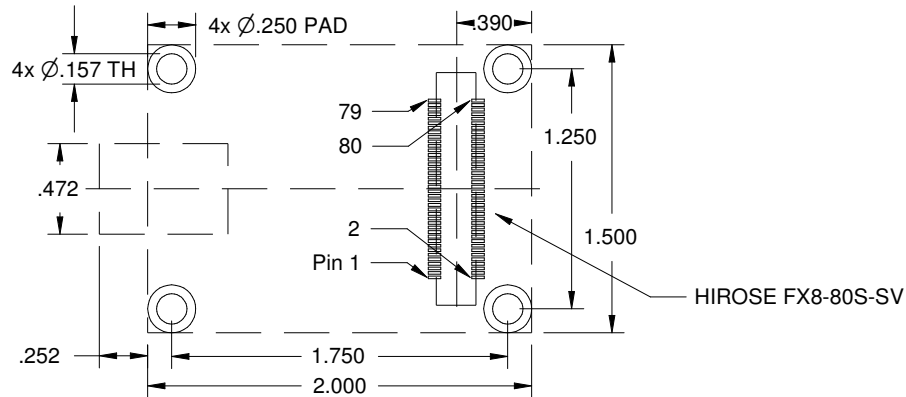
**Isometric View**



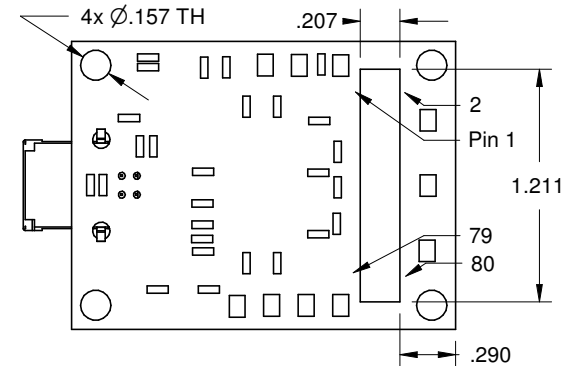
**Side View**



**PCB Socket Layout**



**Bottom View**



Copyright © 2010 Bitwise Systems. All rights reserved.  
 This document contains confidential information and trade secrets of Bitwise Systems, and is protected by United States and international copyright laws. Use, disclosure, or reproduction is prohibited without prior written permission of Bitwise Systems, except as agreed in the accompanying License Agreement. Use, duplication, or disclosure by the US government is subject to restrictions as provided in DFARS 227.7202-1(a) and 227.7202-3(a) (1998), and FAR 12.212, as applicable.

All dimensions are in inches unless otherwise otherwise specified.

SIZE <b>A</b>	FSCM NO.	DWG NO. QUSB2	February 8, 2010	REV B
SCALE 1:1			SHEET 1 of 1	