

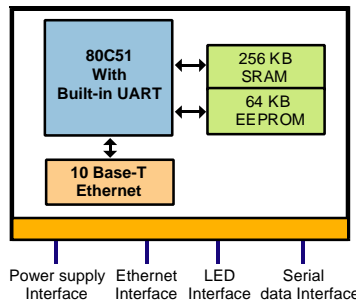
Single-Chip Network-enabler with built-in UART, **NEMO10**



Features

- Single-chip DIL type network enabler for onboard installation
- Compact size, 45mm x 45mm x 18.5mm
- Built-in UART for device interface, data transfer rate up to 115Kbps
- Supports 10Base-T Ethernet interface
- Supports ARP, IP/ICMP, TCP, Telnet, DHCP and PPPoE
- Management by Telnet or console port or HelloDevice Manager
- +5V input, 0.3W low power consumption

The **NEMO10** is a cost-effective and easy-to-use single-chip network enabler module for system integrators and manufacturers who need a way to rapidly make their devices network-ready at a minimal transition cost. The NEMO10 is designed for integration into user devices by on-board installation. On one end, the NEMO10 is connected to the device via built-in UART interface. On the other end, it is connected to the Ethernet RJ45 connector on the board. Within the single-chip DIL package, the NEMO10 has its own TCP/IP-Ready microprocessor, UART for serial interface and built-in 10Base-T Ethernet controller that handle the entire communication between devices over Ethernet.

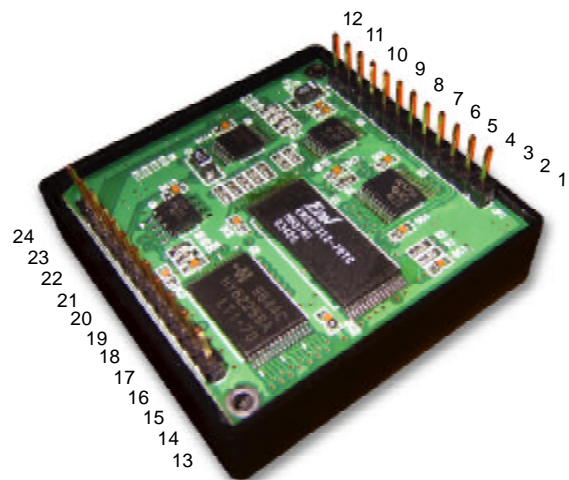


Bundled with Serial/IPTM, COM Port redirector from Tactical Software, the NEMO10 supports reliable serial-TCP communication with users' devices for existing users' serial application. The Windows-based configuration software, HelloDevice™ Manager, simplifies the initial installation and the management. The NEMO10 can also be configured locally through its console port interface, or remotely over a network by telnet.

Dimensions and Pin Assignment

Pin No.	Description
1	GND
2	Reset
3	LED (Ethernet Tx)
4	LED (Ethernet Rx)
5	LED (Ethernet Link/Collision)
6	Ethernet Tx-
7	Ethernet Tx+
8	Ethernet Rx+
9	Ethernet Rx-
10	Vcc
11	LED (Ready)
12	LED (Ethernet Act)

Pin No.	Description
13	Vcc
14	Console/Data switch
15	Serial DSR
16	Serial CTS
17	Serial DTR
18	Serial RTS
19	Serial Rx
20	Serial Tx
21	Factory Reset switch
22	GND
23	LED (Serial Tx)
24	LED (Serial Rx)



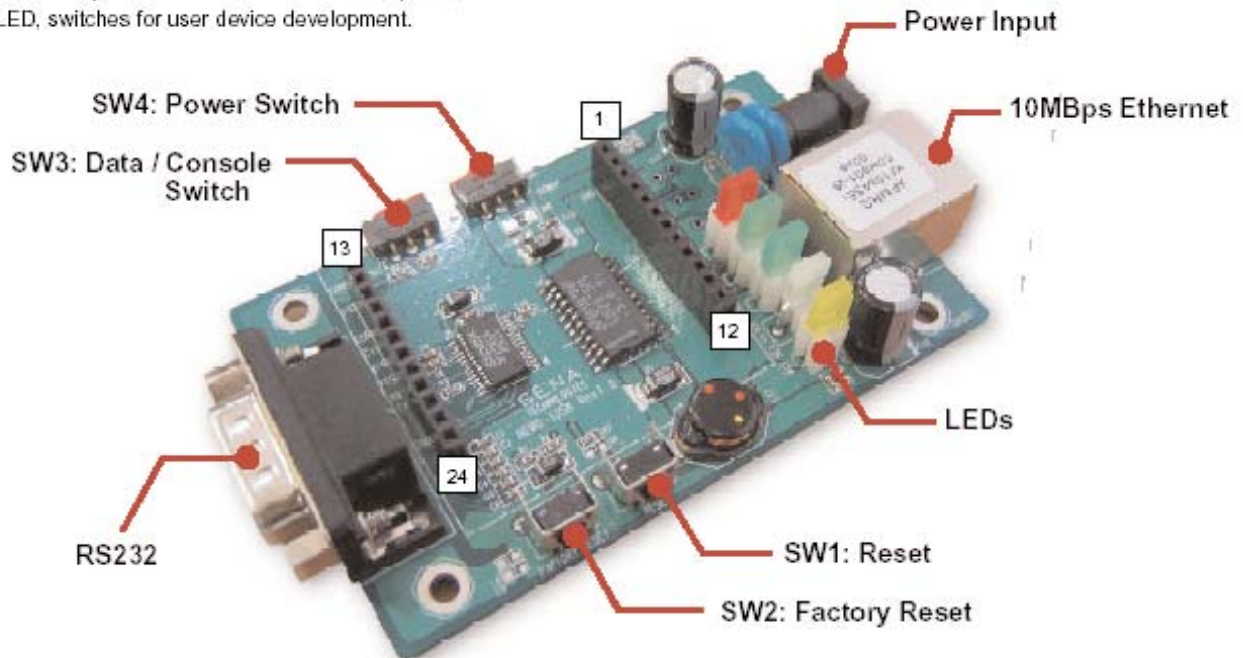
(45 mm x 45 mm x 18.5 mm, 24 pin DIL package, 2.54 mm pitch)

SENA
www.sena.com

The product specification is subject to change without prior notice.

NEMO10 Starter Kit

The NEMO10 Starter Kit includes the evaluation board with the sample circuitry for the NEMO10 interface, power, Ethernet, LED, switches for user device development.



Ordering Information

NEMO10	Single-Chip Network-enabler with built-in UART
NEMO10-SK	Starter kit for NEMO10
Includes	NEMO10 with evaluation board CD-ROM Users' Guide HelloDevice™ Manager, HelloDevice™ UniversalComm, SerialIP™ COM Port Redirector Ethernet CAT5 cable Serial console/data cable External 110V or 230V power supply

For more information, please visit us at

Kanda.com

Tel: +44 (0) 8707 446 807
Fax: +44 (0) 8707 446 807
Email: sales@kanda.com
Web: www.kanda.com

Embedded Results Ltd
P.O. Box 200
Aberystwyth,
SY23 2WD UK

Kanda.com