

Compatible with
AVR Studio

Operating
Systems (ISP):

- ◆ Win95/98
- ◆ WinME/XP
- ◆ Win2000/NT4

Contents:

- ◆ STK300 Board
- ◆ Mounted ATmega128L
- ◆ AVR ISP
- ◆ Software on CD
- ◆ Packed in video case

STK300

Complete development system for Atmel
ATmega128 microcontrollers.

AVR[®]

STK300

The STK300 is a complete low-cost system for the Atmel Mega128 and ATmega103 AVR range of FLASH 8-bit programmable RISC microprocessors. The ATmega gives you all the benefits of the AVR plus loads of memory. Included in the Kit is an Application Builder and an editor to simplify code development. Everything is provided for you to develop ATmega designs in a fast track environment.



STK300 board

The STK300 is an optimally designed platform for taking your ATmega design from conception to realisation. The board is populated with switches, LED's, an RS232 port, ADC, port headers and low current dual rail supplies for external Op amps.

A 14-pin connector for standard LCD's, including power and contrast adjustment, is also fitted. The board is prepared for drop-in external RAM connection, with sockets for the Address Latch chip and RAM plus dip header for external memory mapped devices.

Onboard brown out detection and adjustable voltage reference are included. The board has a full range of ports for development purposes.

As the Mega AVR's are only available in surface mount versions, we have mounted the device on a daughter board using standard 0.1" pin headers. The NSTK300 comes with a mounted ATmega128L device. This has a voltage range of 2.7-5.5V but STK300 board only supports programming at 3.3 and 5V. This daughter board is also available separately.

ISP

The system uses a parallel port programmer with 10-way ribbon cable using Kanda standard connection as adopted by Atmel and the ISP software is now an industry standard. The emulation included in the package uses the same hardware so you do not have to worry about cable changes. The ISP is project based to help with file storage and version control.

MISO	SCK	RESET	LED	MOSI
9	7	5	3	1
10	8	6	4	2
GND	GND	GND	GND	Vcc

Kanda.com

Embedded Results Ltd
P.O. Box 200
Aberystwyth,
SY23 2WD UK

Tel: +44 (0) 1974 261 273
Fax: +44 (0) 1974 261 273
Email: sales@kanda.com
Web: www.kanda.com

Order Code:
STK300-P

Device Support, ISP and sockets on STK300 board:

- ATmega64/103/128
- ATmega1281/2561

ISP support only - board support on STK200:

- ATtiny12
- ATtiny13
- ATtiny15
- ATtiny22
- ATtiny2313

- AT90S1200
- AT90S2313
- AT90S2323
- AT90S2343
- AT90S2333
- AT90S4414
- AT90S4433
- AT90S8515
- AT90S8535

- ATmega48
- ATmega8
- ATmega88
- ATmega8515
- ATmega8535
- ATmega16
- ATmega161
- ATmega162
- ATmega163
- ATmega168
- ATmega32
- ATmega323

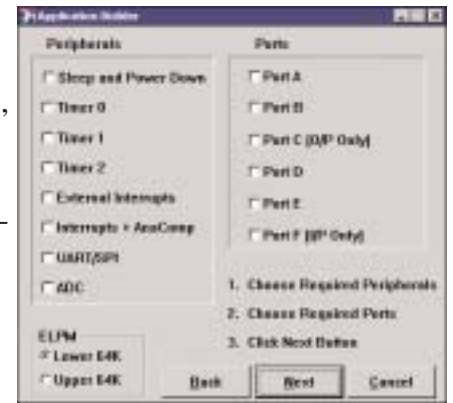
ISP Support only - no board support:

- ATtiny26
- ATmega64
- ATmega169

Order Code:
STK300-P

Application Builder

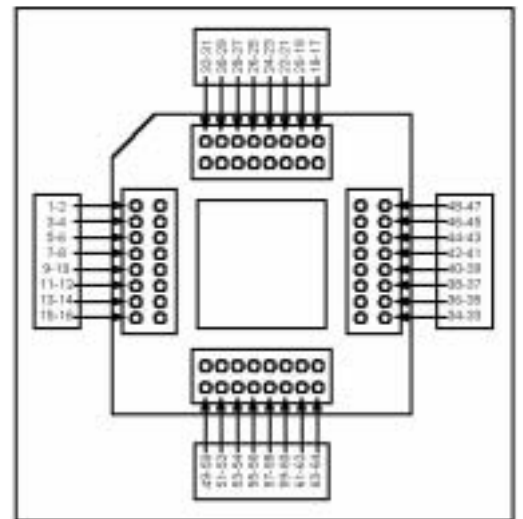
The Application Builder uses simple wizards to create all your setup code including ports, timers, UART, ADC, SPI, watchdog and interrupts. Stack pointer, External SRAM access and other device features can also be set. This powerful feature gives you instant source code templates and code examples. It also reduces the need to read all the datasheets before you start your development, saving you time and money. (The application builder is a 16-bit windows application, so 95/98 only). The output assembler file is 100% compatible with IAR Assembler and only a few syntax changes are need for AVR Studio®. Both IAR and AVR Studio are available for download on the Atmel web site. WIN95/98 only.



Daughter Board

Extra AVR Mega devices mounted on daughter boards with 0.1" pin headers are available from us.

Product	Part Number
STK300+ Kit	STK300-P
Mounted ATmega128	KANMEGDEV5
Mounted ATmega128L	KANMEGDEV3



Accessories

Description

Power Supply - 3 versions
RAM Chip set
Intelligent 16 x 2 LCD Module

Part Number

STKPSU-UK, STKPSU-EU, STKPSU-US
STKP51-RAM
570910-PM

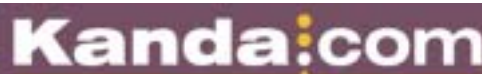
For board support for other AVR devices, see STK200 or STK200-P

® AVR is the registered trade mark of Atmel Corporation, Orchard Parkway, San Jose, CA

Related Products

Do also check out our STK300 product. This is the USB version of this kit.

A professional programmer that uses the USB port is also available - AVRUSB.



Embedded Results Ltd
P.O. Box 200
Aberystwyth,
SY23 2WD UK

Tel: +44 (0) 1974 261 273
Fax: +44 (0) 1974 261 273
Email: sales@kanda.com
Web: www.kanda.com