

Compatible with
AVR Studio

Operating
Systems (ISP):

- ◆ WinVISTA
- ◆ WinXP
- ◆ Win2000

Contents:

- ◆ STK300 Board
- ◆ Mounted ATmega128L
- ◆ AVR ISP - USB
- ◆ Software on CD
- ◆ USB JTAG AVR ICE
- ◆ AVR Studio
- ◆ WinAVR C
- ◆ Books on Embedded C and AVR on CD

Order Code:

STK300ICE-PS
(Parallel Serial)

STK300ICE
(USB)

STK300ICE

Complete development system for Atmel
ATmega128 microcontrollers with
JTAGAVR ICE.

AVR®

STK300

The STK300 is a complete low-cost system for the Atmel Mega128 and ATmega103 AVR range of FLASH 8-bit programmable RISC microcontrollers. The ATmega128 gives you all the benefits of the AVR plus loads of memory.

Included in the Kit is an array of software plus JTAGAVR ICE tool with adapters. Everything is provided for you to develop ATmega designs in a fast track environment.



STK300 board

The STK300 is an optimally designed platform for taking your ATmega128 designs from conception to realisation. The board is populated with switches, LED's, 2 RS232 ports, ADC, port headers, RTC, LCD Interface and low current dual rail supplies for external Op amps.

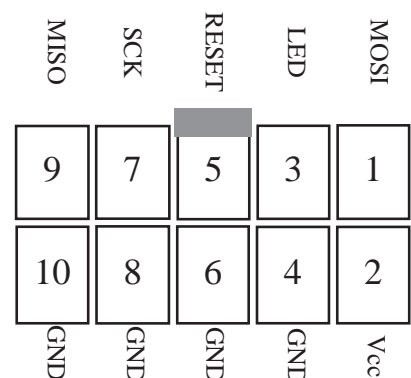
A 14-pin connector for standard LCD's, including power and contrast adjustment, is also fitted. The board is prepared for drop-in external RAM connection, with sockets for the Address Latch chip and RAM plus dip header for external memory mapped devices.

Onboard brown out detection and adjustable voltage reference are included. The board has a full range of ports for development purposes.

As the Mega AVR's are only available in surface mount versions, we have mounted the device on a daughter board using standard 0.1" pin headers. The STK300 comes with a mounted ATmega128L device. This has a voltage range of 2.7-5.5V but STK300 board only supports programming at 3.3 and 5V. This daughter board is also available separately.

ISP

The system uses a parallel port programmer with 10-way ribbon cable using Kanda standard connection as adopted by Atmel and the ISP software is now an industry standard. The emulation included in the package uses the same hardware so you do not have to worry about cable changes. The ISP is project based to help with file storage and version control.



Device Support, ISP and sockets on STK300 board:

- ATmega64
- ATmega128
- ATmega1281
- ATmega2561

ISP support only - board support on STK200:

- ATtiny12
- ATtiny13
- ATtiny15
- ATtiny22
- ATtiny2313

- ATmega48
- ATmega8
- ATmega88
- ATmega8515
- ATmega8535
- ATmega16
- ATmega161
- ATmega162
- ATmega163
- ATmega168
- ATmega32
- ATmega323

ISP Support only - no board support:

- ATtiny26
- ATmega169

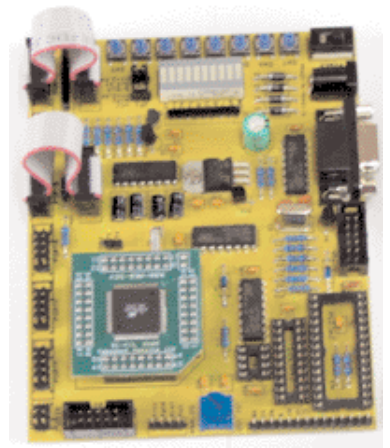
Order Code:

STK300ICE-PS
(Parallel Serial)

STK300ICE
(USB)

Features

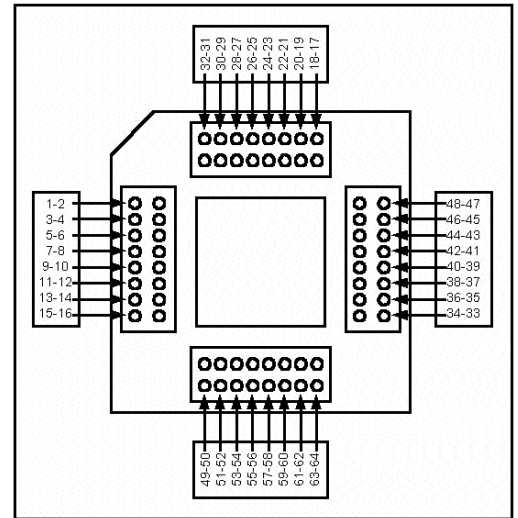
- Mounted ATmega128L device
- Switches and bar LED, with jumper leads to change port
- 2 USART - both available as TTL or RS232 levels
- External Flash RAM socket
- LCD Interface
- 24C EEPROM socket
- ADC support with Internal Reference POT
- ISP and JTAG connectors
- Real Time Clock Crystal
- 3.3 or 5V operation
- Manual, schematics, datasheets, sample programs
- Software including AVR ISP-U, AVRStudio, C Compiler
- USB JTAG AVR In Circuit Emulator - ICE



Daughter Board

Extra AVR Mega devices mounted on daughter boards with 0.1" pin headers are available from us.

Product	Part Number
STK300 ICE Kit	STK300ICE-PS
STK300 ICE Kit USB	STK300ICE
Mounted ATmega128	KANMEGDEV5
Mounted ATmega2561	KANMEGDEV256
Mounted ATmega128L	KANMEGDEV3



Accessories

Description

- Power Supply
- RAM Chip set
- Intelligent 16 x 2 LCD Module
- Data Entry Keypad

Part Number

- PSU9V-UNI (9V, 2.1mm barrel)
- STKP51-RAM
- 570910-PM
- 467200-PM

For board support for other AVR devices, see STK200ICE

® AVR is the registered trade mark of Atmel Corporation, Orchard Parkway, San Jose, CA

Related Products

Do also check out our AVR PSI product. This offers vastly superior programming times compared to the AVR ISP and is recommended for Low Voltage (L) devices.

A programmer that uses the USB port is also available - NAVRUSB.



Embedded Results Ltd
P.O. Box 200
Aberystwyth,
SY23 2WD UK

Tel: +44 (0) 1974 261 273
Fax: +44 (0) 1974 261 273
Email: sales@kanda.com
Web: www.kanda.com